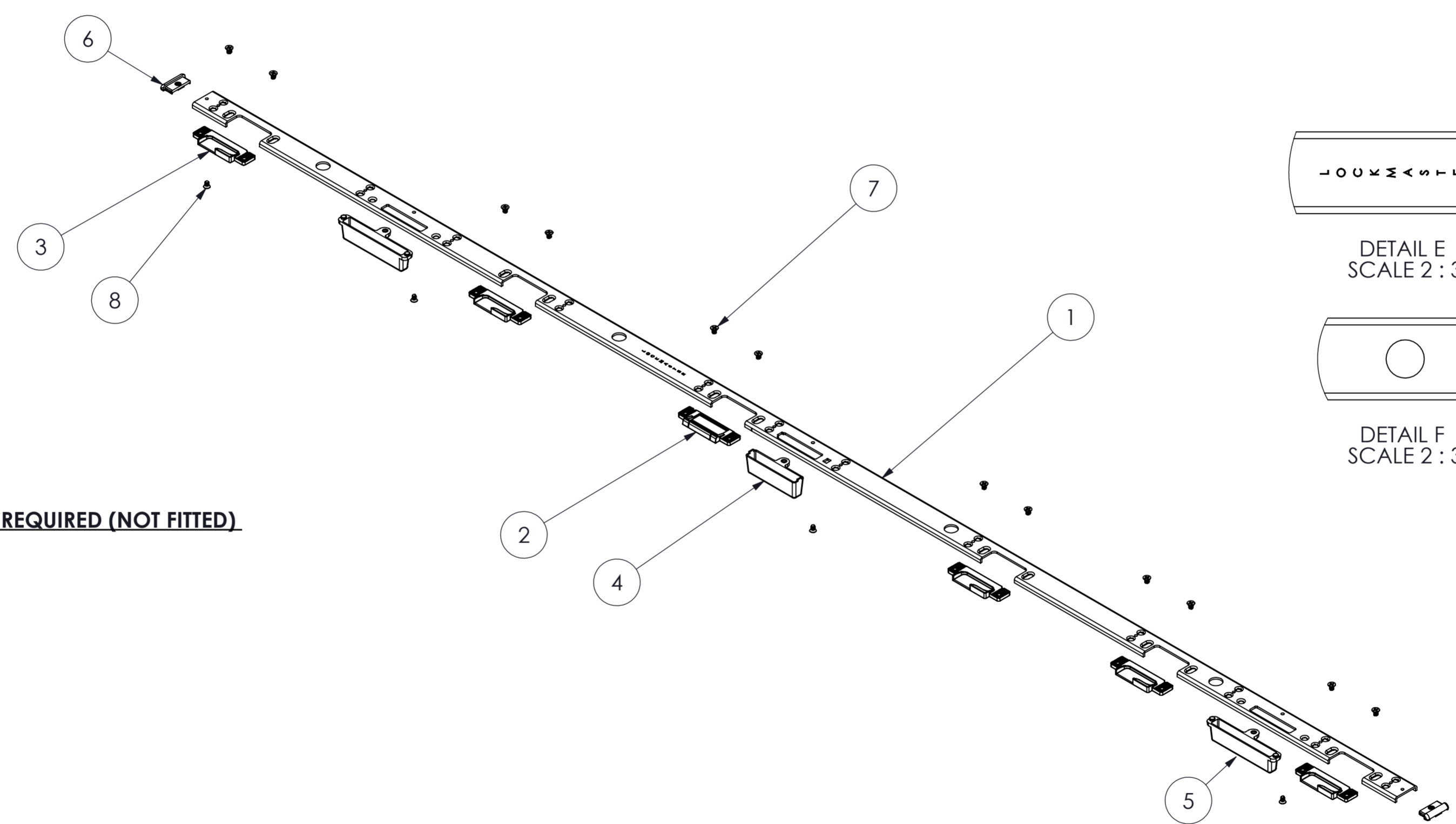
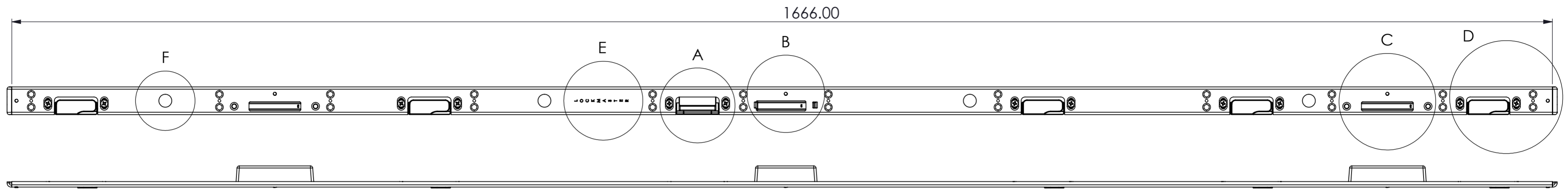
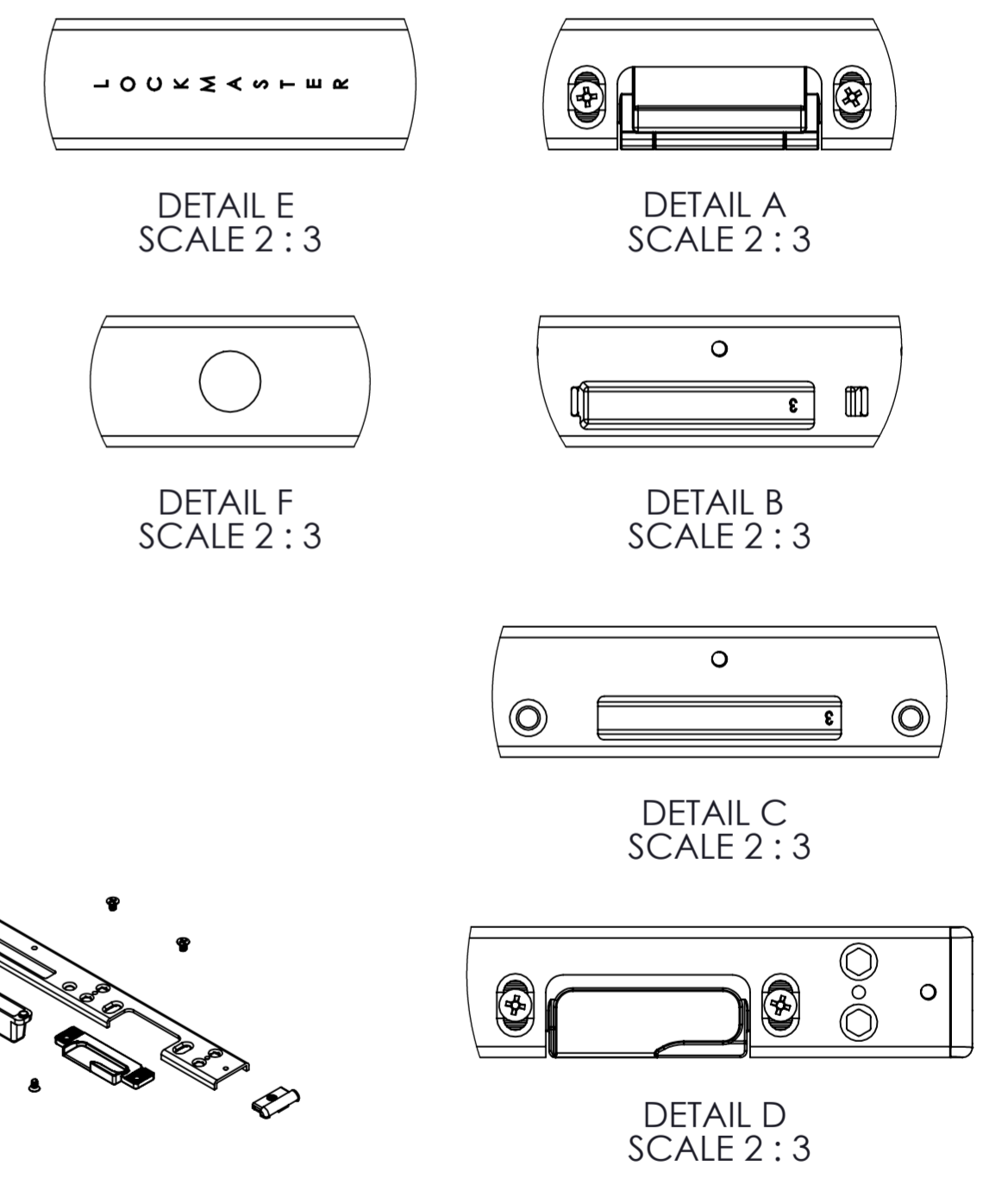


This work is copyright and no part may be reproduced, by any process, nor may any other exclusive right be exercised without the permission of ASSA ABLOY.

Revision	Description	Date
3	PLK99-C004 REPLACED BY PLK99-C193.PLK328 REPLACED BY PLK99-C192. x4 OF6607SC REMOVED & x3 OF83585SC ADDED. DRAWING TEMPLATE UPDATED (RC)	2019-02-07



**PACKERS - AS REQUIRED (NOT FITTED)**



ITEM NO.	PART NUMBER	DESCRIPTION	qty
1	LK036-C02-19	BASE PLATE RH FOR PL289	1
2	PLK99-C134	LATCH PLATE	1
3	PLK99-C136	ROLLER BOX RH	5
4	PLK99-C192	SCREW-ON TIDY (HOOK / DEADBOLT)	1
5	PLK99-C193	SCREW-ON TIDY (AUX HOOK)	2
6	PLK99-C155	END CAP (SCREW-ON)	2
7	OF6607SC	M4 x 6MM LONG COUNTERSUNK HEAD TAPTITE SCREW POZIDRIV	12
8	OF83585SC	M3.5 x 6MM LONG COUNTERSUNK HEAD TAPTITE SCREW POZIDRIV	5

Surface treatment: SEE INDIVIDUAL COMPONENTS			Material: SEE INDIVIDUAL COMPONENTS			General tolerance: N/A		
Volume: 146275.65 mm <sup>3</sup>	Mass: 291.80 gram	Surface area: 172064.94 mm <sup>2</sup>	Created (YYYY-MM-DD): 2017-03-28	Designed by: PS	Drawn by: RC	Scale: 1:4 (A2)	Projection:	
<b>ASSA ABLOY</b> ASSA ABLOY UK						Industrial Lock RH (PL289) ASSEMBLY P1471		Alternate ID: <b>LK036</b> Document ID: <b>D000685465-001</b>
							Rev.: <b>3</b>	