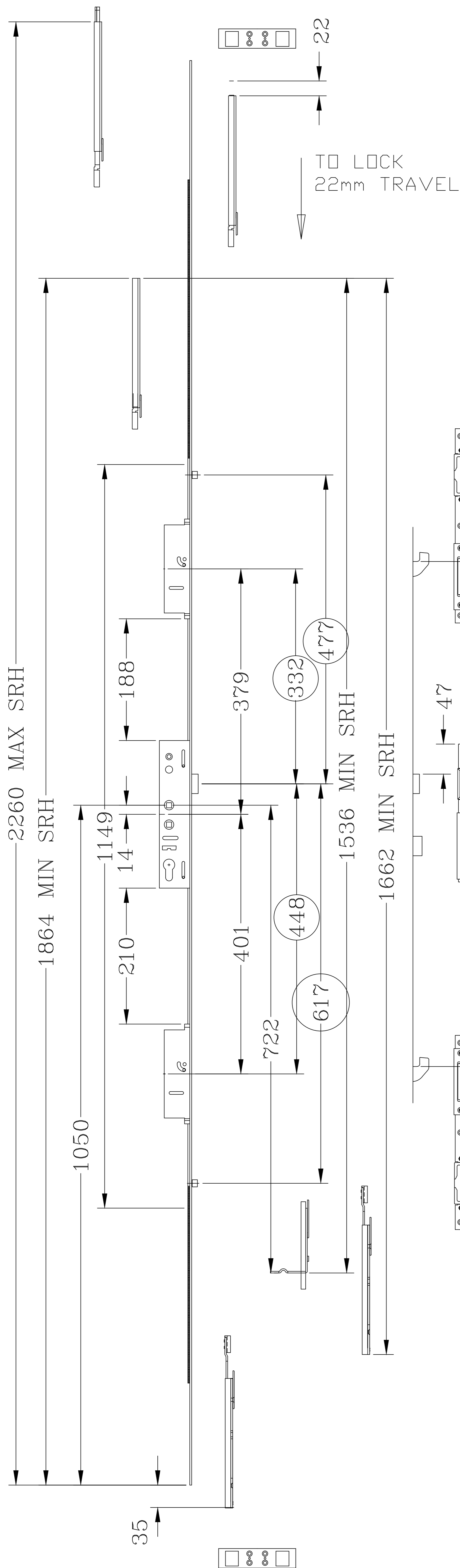


# LOCKMASTER

## PL32-19 2 HOOK, 2 ROLLER

### DOOR LOCK, UNSPRUNG

(LOCK SHOWN IN UNLOCKED POSITION)



	QTY.	PART NO.
2 HOOK FACEPLATE	1	PL10-C047-19
TOP ROD	1	PL10-C055-19
BOTTOM ROD	1	PL10-C056-19
BOTTOM ROD SERRATED	1	PL10-C104-19
8mm FACEPLATE SCREW	1	PL10-C180-19
10mm FACEPLATE SCREW	6	PL10-C181-19
TOP ROD SERRATED	1	PL10-C217-19
GUIDE PIN (COLD HEADED)	2	PL10-C257-CH-19
HOOK UNIT	2	PL10-SA61-19-T
CENTRE UNIT FULL SPEC, UNSPRUNG	1	PL10-SA130-19

92mm CENTRES
35mm BACKSET
48mm CASE DEPTH
25mm HOOK PROJECTION
FITTING DETAILS AVAILABLE

KEEPS SHOWN FOR REFERENCE ONLY  
ORDER SEPARATELY

CUSTOMER REF.	QTY.	PART NO.
CENTRE KEEP L.H.	1	PLK20HS-19
CENTRE KEEP R.H.	1	PLK21HS-19
HOOK/ROLLER KEEP	1	PLK42HS-19

HIGH SECURITY KEEPS SHOWN  
STANDARD KEEPS AVAILABLE

CUSTOMER REF.	QTY.	PART NO.
SHOOTBOLT SET	1	PLSB44-19
SHOOTBOLT SET CRANKED	1	PLSB55-19
SHOOTBOLT SET, SHORT	1	PLSB66-19

Paddock Fabrications Limited  
Fryers Road, Bloxwich, Walsall,  
West Midlands WS2 7LZ.  
TELEPHONE (01922) 711722  
FAX (01922) 476021  
Registered in England No 1388201

**Paddock**<sup>TM</sup>  
Innovators in hardware