

# The Essential Range

2600

## Essential Tubular Latch



### Application:

- For timber doors hinged on the left or right and requiring lever handle operation
- Not suitable for use with unsprung lever handles
- Durable nylon latch for quieter locking



### Specification:

**Supplied by UNION** - your assurance of quality and reliability.

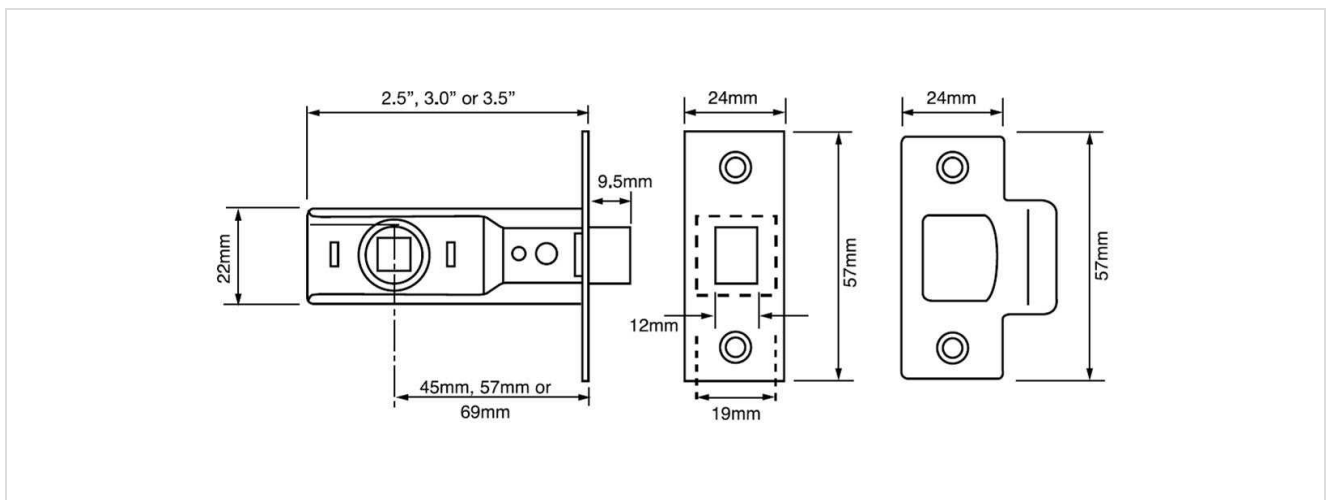
- Latch bolt withdrawn by sprung lever handle from either side
- Two way action
- Un-handed universal latch
- Single piece forend
- Matching forend and strike
- Square forend and striking plate
- Backset: 45mm, 57mm or 69mm
- Case: Steel, galvanised
- Forend: Zinc plated or brass finish
- Striking Plate: Finished to match forend
- Latch Bolt: Black, plastic construction



### Finish:

- Brass finish
- Zinc plated

### Technical Design:



# The Essential Range

2600

## Essential Tubular Latch



ASSA ABLOY

### Variants:

Code	Description
J2600-ZP-2.5	ESSENTIALS CONTRACT TUB.LATCH, ZP FINISH, 2.5"CASE,
J2600-ZP-3.0	ESSENTIALS CONTRACT TUB.LATCH, ZP FINISH, 3"CASE,
J2600-ZP-3.5	ESSENTIALS CONTRACT TUB.LATCH, ZP FINISH, 3.5" CASE,
J2600-PL-2.5	ESSENTIALS CONTRACT TUB.LATCH, PB FINISH, 2.5"CASE,
J2600-PL-3.0	ESSENTIALS CONTRACT TUB.LATCH, PB FINISH, 3"CASE,
J2600-PL-3.5	ESSENTIALS CONTRACT TUB.LATCH, PB FINISH, 3.5" CASE,
Y2600-ZP-2.5	ESSENTIALS CONTRACT TUB.LATCH, ZP , 2.5"CASE, VISI
Y2600-ZP-3.0	ESSENTIALS CONTRACT TUB.LATCH, ZP , 3"CASE, VISI
Y2600-PL-2.5	ESSENTIALS CONTRACT TUB.LATCH, PB, 2.5"CASE, VISI
Y2600-PL-3.0	ESSENTIALS CONTRACT TUB.LATCH, PB, 3"CASE, VISI