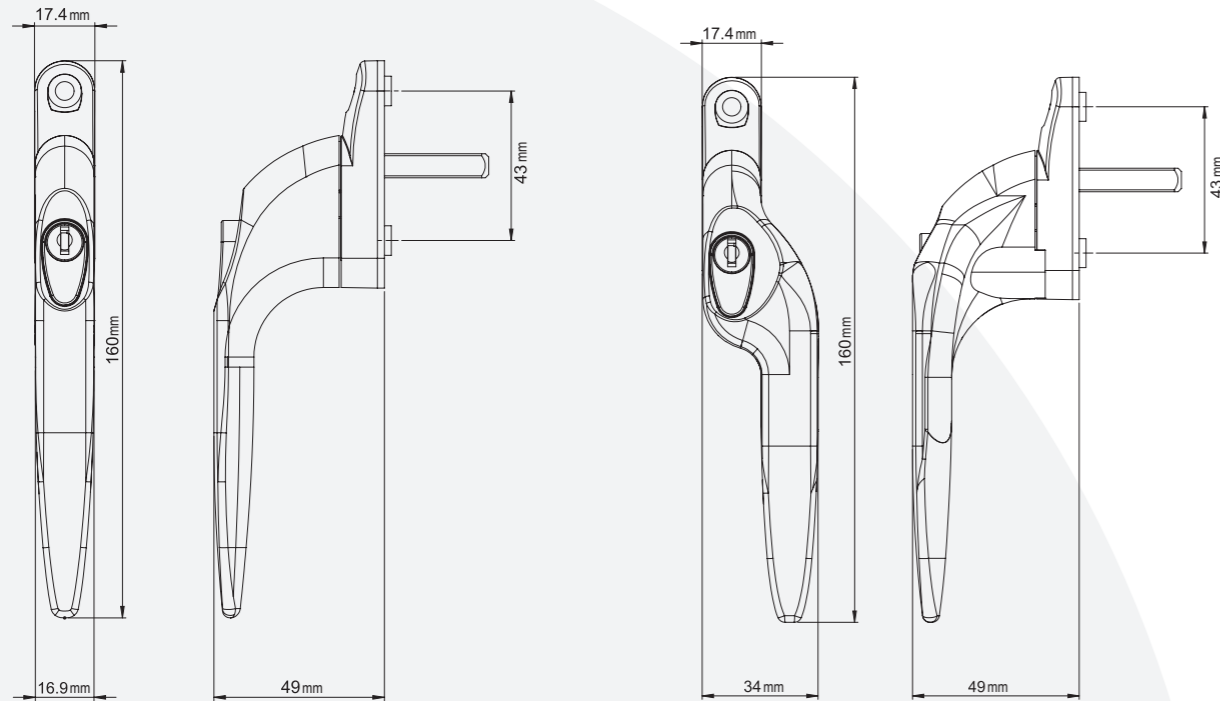


Technical Illustrations



Inline

Offset



BS EN 1670
British Standards Institute accredited
anti-corrosion performance



Lifetime Security Guarantee**
All products in our Quartus Espag Handle
range are included within our Lifetime Security
Guarantee scheme, providing your customers
with numerous benefits and peace of mind



**10 Year Mechanical
Guarantee**
Delivering peace of mind from the
world's favourite lock company



10 Year Surface Finish Guarantee
All of our products are designed to withstand all types
of weather conditions with anti-corrosion coatings;
ensuring high performance all year round

THE YALE BRAND, with its unparalleled global reach and range of products,
reassures more people in more countries than any other consumer locking solution.

THE ASSA ABLOY GROUP is the world's leading manufacturer and supplier of locking
solutions, dedicated to satisfying end-user needs for security, safety and convenience.

© Yale, December 2019

Yale DWS
School Street, Willenhall, West Midlands WV13 3PW, UK
T: 01902 366800 F: 01902 369041
www.yaledws.co.uk

Due to a continuous programme of development the company reserves the right to make alterations without notice.
(Products which are not a stocked item will be subject to a longer lead time which needs to be agreed with your Yale representative).

*Other spindle lengths are available upon request. **Terms and conditions apply. Please see yaledws.co.uk for further details.

Quartus Espag Handle

Aesthetically pleasing without
compromising on quality.



- Push to unlatch Yale branded mechanism
- Supplied with a Yale branded key
- Available in Satin Black, Chrome, Champagne Gold, Silver and White
- 10 Year Guarantee

The **Yale Quartus Espag handle** offers homeowners the ultimate solution with its aesthetically pleasing design and user-friendly functionality, making it the ideal choice for aluminium and uPVC windows.

Available in inline and offset variants as well as a wide range of finishes, this handle has been designed, developed and tested in the UK to Yale's precise standards and high-performance security.



Features

- Push to unlatch Yale branded mechanism
- Key operated locking mechanism
- Key deadlocking for added security and safety
- Non-locking push to unlatch version in Black, White and Green for egress applications available
- Aesthetically pleasing as part of the suited range of window hardware
- Available in inline and offset variants
- Available in Satin Black, Chrome, Champagne Gold, Silver and White finishes
- Fixed spindle as standard
- Available with a variety of spindle lengths ranging from 10mm - 50mm to accommodate a wide range of window profiles*
- Supplied with screws, colour matched screw caps and cylinder plug to achieve a non-locking solution
- Supplied with Yale branded key
- Spare keys and screw cover caps available upon request

Guarantee and Standards

- 10 year Mechanical Guarantee
- 10 year Surface Finish Guarantee
- Tested to BS EN 1670:2007 Grade 4 (240hrs. NSST)
- Tested to BS 6375 Part 2 (Classification EN 12400) Class – 20,000 cycles
- Lifetime Security Guarantee when used with other Yale security hardware*



Material Specification

Zinc Alloy and Aluminium Alloy
Plastic parts – Nylon 66, UV stabilised ABS and Acetal

Packaging

10 per box
80 per carton
All handles bagged (2 x M5 screws, Screw Cover, Key & Non-Lock Plug (where applicable), sealed into corner of bag)

Maintenance

Yale recommends that the Yale Quartus Espag handle is surface cleaned with a damp cloth only and kept free of dirt