



Vertex™

Tilt Latch Finials

The Yale Vertex™ range has notably been designed to complement and maintain the traditional aesthetics seen on sash windows, a framework that is most commonly found in British period-style homes



Heritage Tilt Latch Finial

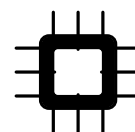


Contemporary Tilt Latch Finial

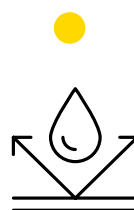
- Suitable for use on all vertical sliding windows
- Designed for appearance and function
- Die -cast zinc for consistent hole positions
- Available in a range of finishes
- Suitable for uPVC, Timber and Aluminium Windows
- Included within the Yale Lifetime Security Guarantee



10 year Surface Finish
Guarantee



Cross Hatch Adhesion
Tested



BS EN 1670: Grade 4
240 Hours NSST

Trusted every day



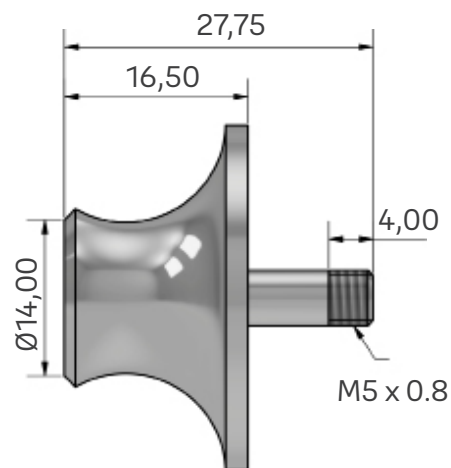
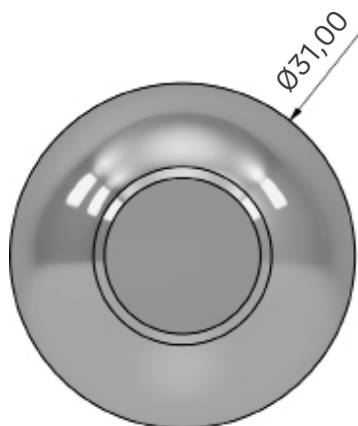
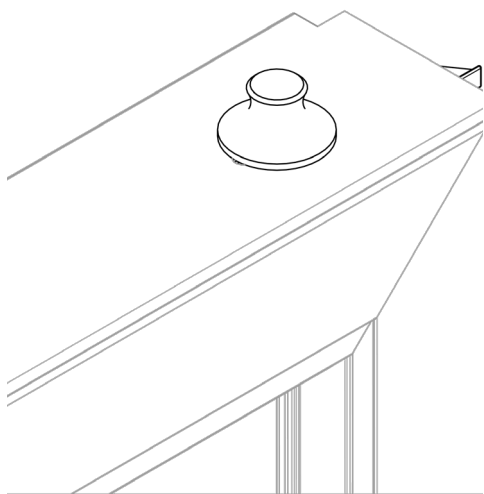
Product	Profile System	Part code
Contemporary Tilt Latch Finial - Chrome	All window systems	YVSKD01-CH
Contemporary Tilt Latch Finial - Champagne Gold	All window systems	YVSKD01-CG
Contemporary Tilt Latch Finial - Silver	All window systems	YVSKD01-SL
Contemporary Tilt Latch Finial - White	All window systems	YVSKD01-WH
Contemporary Tilt Latch Finial - Satin Black	All window systems	YVSKD01-SB
Heritage Tilt Latch Finial - Chrome	All window systems	YVSKD02-CH
Heritage Tilt Latch Finial - Champagne Gold	All window systems	YVSKD02-CG
Heritage Tilt Latch Finial - Silver	All window systems	YVSKD02- SL
Heritage Tilt Latch Finial - White	All window systems	YVSKD02-WH
Heritage Tilt Latch Finial - Satin Black	All window systems	YVSKD02-SB
Non-decorative Upper Sash Tilt Finial - Silver Anodised	All window systems	YVSKND01

Maintenance

Yale recommends this product is surface cleaned with a damp cloth only and is kept free from any building materials and debris which could affect the mechanism.

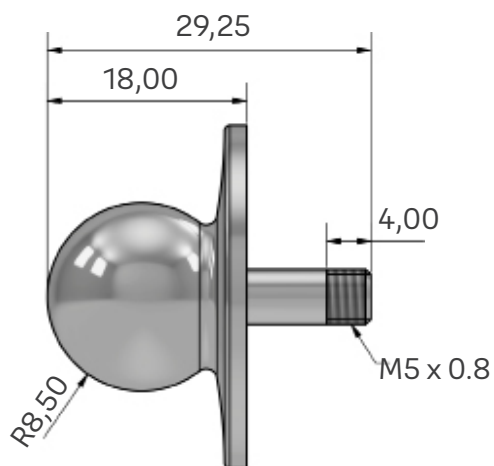
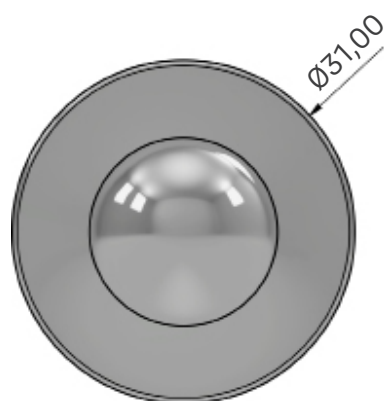
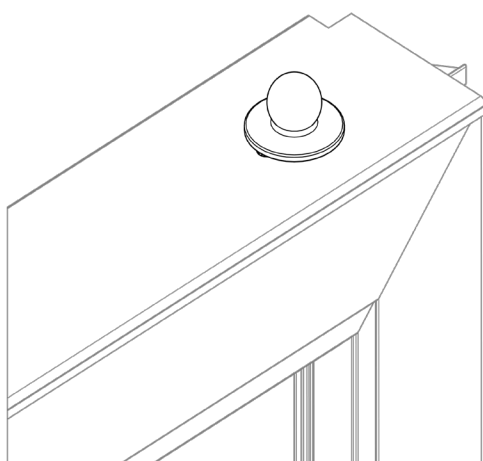
Lower sash contemporary

Tilt Latch Finial



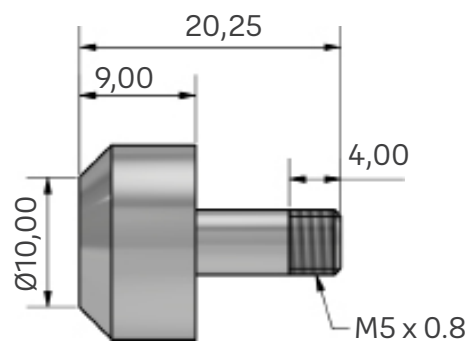
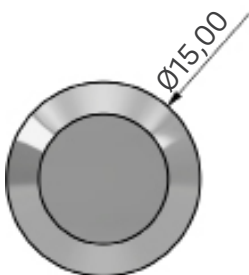
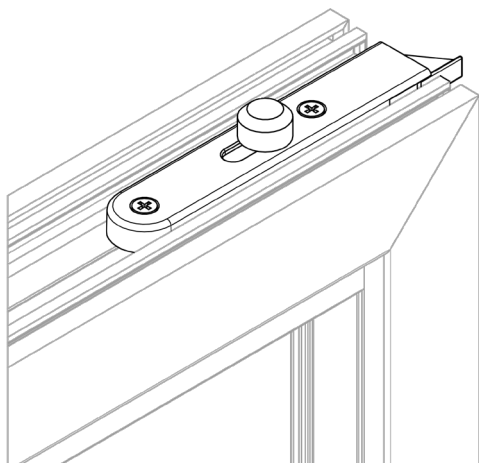
Lower sash heritage

Tilt Latch Finial



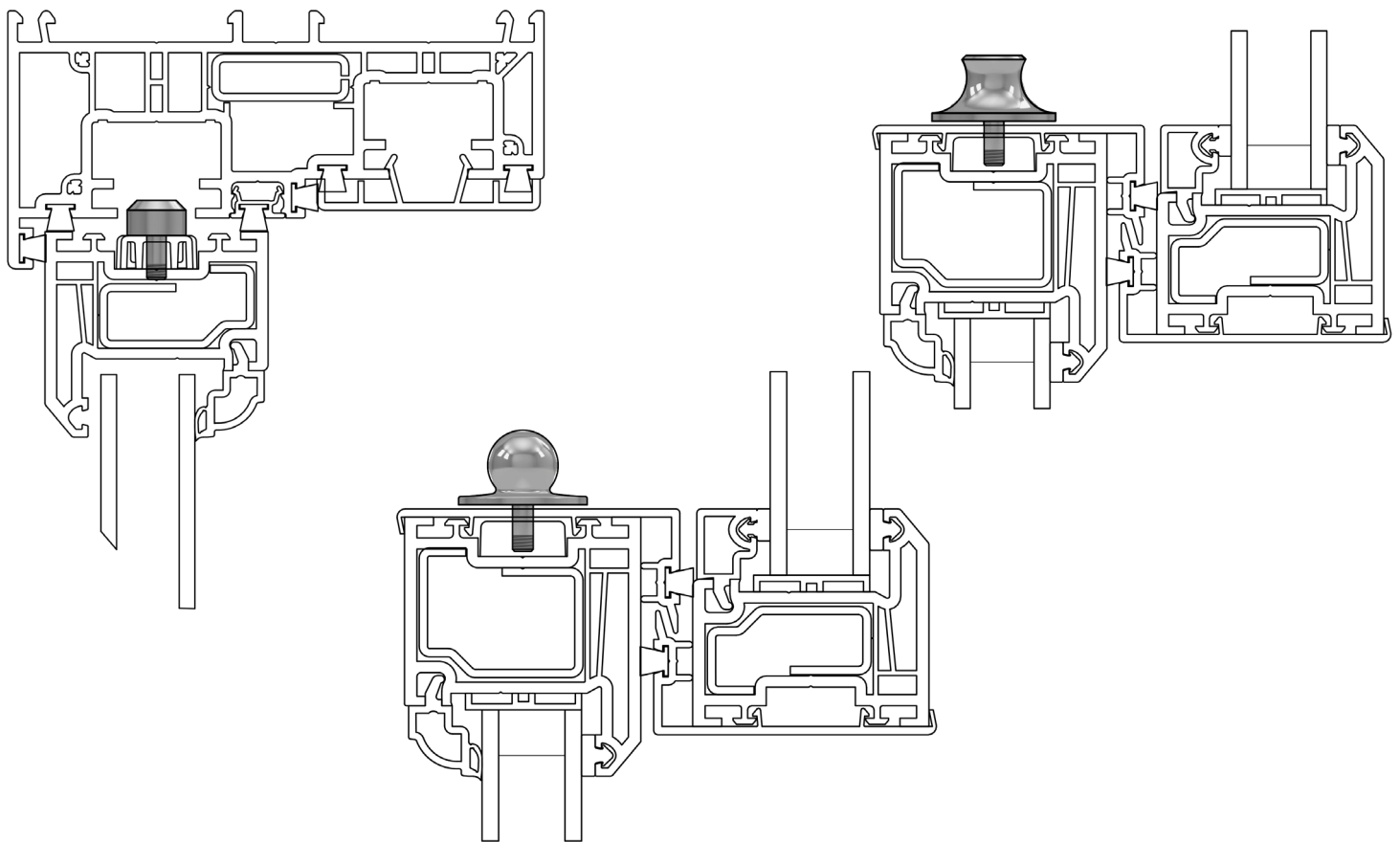
Non-decorative upper sash

Tilt Finial





Typical window cross-section



Colour

Variants

- Chrome
- Champagne Gold
- Silver
- White
- Satin Black

Packaging

Boxed in 50's

Material Specification

Zinc die-cast